



# Specialty Rocker Series

## Series JAR-731

### Large Bezel & Lighted Jewel Design

"Since 1975... serving the automotive industry and over 2,000 OEM customers"

#### JAR-731-1 (with pad print)

#### Specifications

**SPST** (Single Pole, Single Throw)

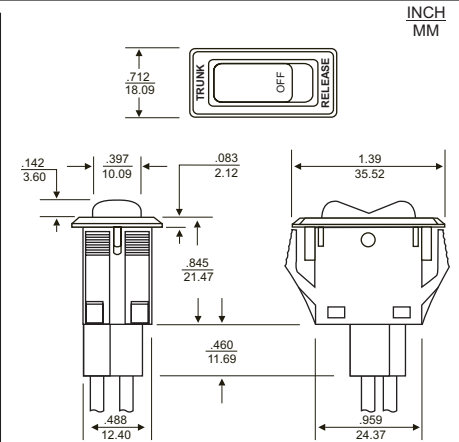
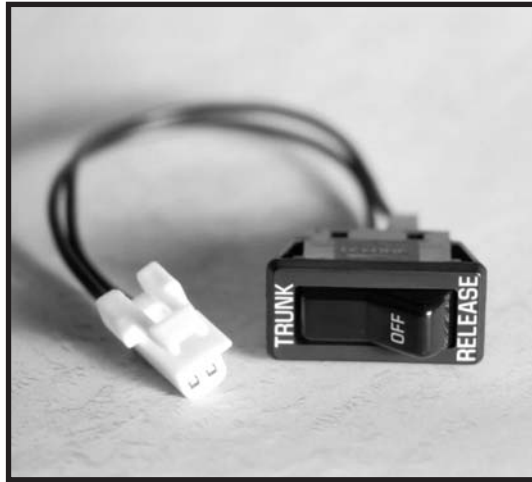
**Function:** On-Off

**Rating:** 14 V DC 10A

**Button design:** As shown or per your application

**Printing:** Per application

**Leads:** Wire (18, 20, 22AWG) with or without "pigtail" harness as shown



Dimensions given for approximate size only. Contact factory for specific applications and panel hole sizes.

#### JR-731-1 (with lighted jewel)

#### Specifications

**SPST** (Single Pole, Single Throw)

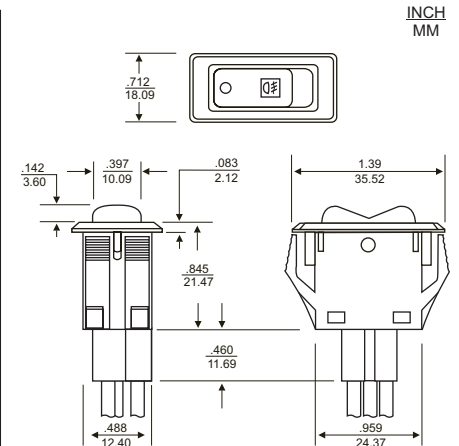
**Function:** On-Off

**Rating:** 14 V DC 10A

**Button design:** As shown or per your application

**Printing:** Per application

**Leads:** Wire (18, 20, 22AWG) with or without "pigtail" harness as shown



Dimensions given for approximate size only. Contact factory for specific applications and panel hole sizes.

#### JAR-731-2 (with pad print & lighted jewel)

#### Specifications

**SPST** (Single Pole, Single Throw)

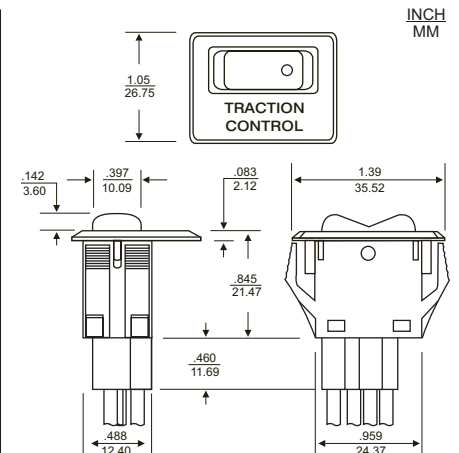
**Function:** NOMC (Normally Open, Momentarily Closed)

**Rating:** 14 V DC 10A

**Button design:** As shown or per your application

**Printing:** Per application

**Leads:** Wire (18, 20, 22AWG) with or without "pigtail" harness as shown



Dimensions given for approximate size only. Contact factory for specific applications and panel hole sizes.