



"Since 1975 . . . serving the automotive industry and over 2,000 OEM customers"

Toggle Switches

Series JST-624 / JMT-634 / JT-644

Sub-Miniature, Miniature, & Standard

JST-624

Specifications

SPST (Single Pole, Single Throw)
SPDT (Single Pole, Double Throw)
DPDT (Double Pole, Double Throw)

Function: On-Off, On-On, On-Off-On

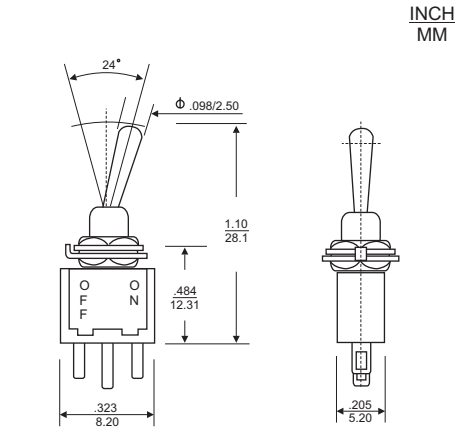
Rating: 125V AC 3A / 250V AC 1A

Initial Contact Resistance: Max. 20mΩ

Insulation Resistance: 1000MΩ Min.

Operation Temperature: -55C~85C

Electrical Life: 20,000 Cycles



Dimensions given for approximate size only.
 Contact factory for specific applications and panel hole sizes.

JMT-634

Specifications

SPST (Single Pole, Single Throw)
SPDT (Single Pole, Double Throw)
DPDT (Double Pole, Double Throw)

Function: On-Off, On-On, On-Off-On

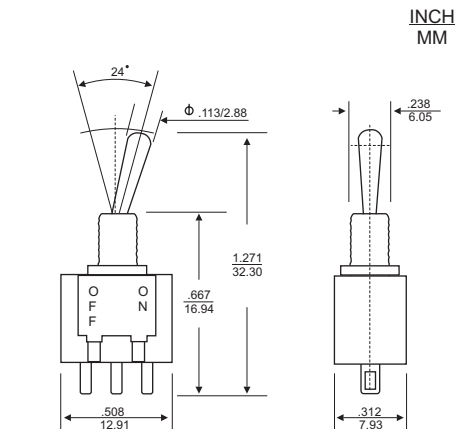
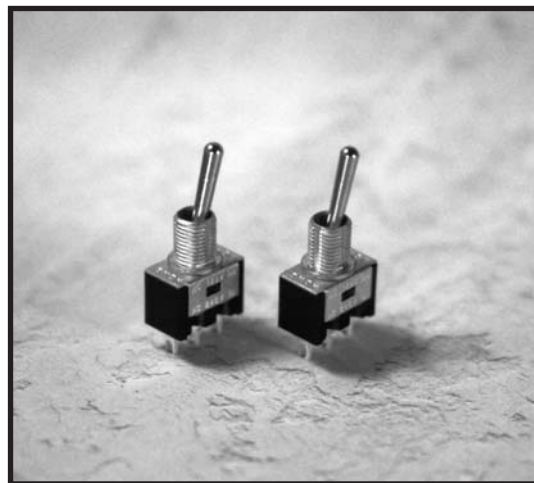
Rating: 125V AC 3A / 240V AC 1A

Initial Contact Resistance: Max. 20mΩ

Insulation Resistance: 1000MΩ Min.

Operation Temperature: -55C~85C

Electrical Life: 20,000 Cycles



Dimensions given for approximate size only.
 Contact factory for specific applications and panel hole sizes.

JT-644

Specifications

SPST (Single Pole, Single Throw)
SPDT (Single Pole, Double Throw)
DPDT (Double Pole, Double Throw)

Function: On-Off, On-On, On-Off-On

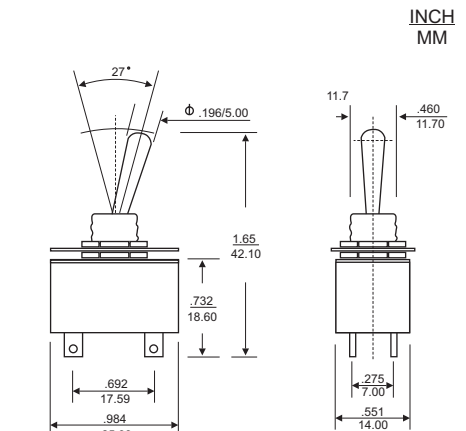
Rating: 125V AC 4A / 250V AC 2A

Initial Contact Resistance: Max. 20mΩ

Insulation Resistance: 1000MΩ Min.

Operation Temperature: -55C~85C

Electrical Life: 20,000 Cycles



Dimensions given for approximate size only.
 Contact factory for specific applications and panel hole sizes.



"Since 1975 . . . serving the automotive industry and over 2,000 OEM customers"

Toggle Switches

Series JLT-654

Rugged, High Current, Industrial Grade

JLT-654-1

Specifications

SPST (Single Pole, Single Throw)
DPST (Double Pole, Single Throw)

Function: On-Off

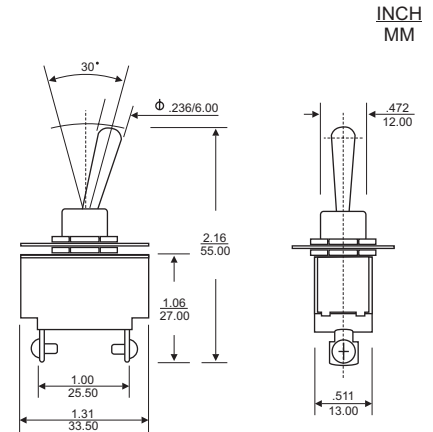
Rating: 125V AC 10A / 250V AC 6A
 *High Amp: 125V AC 15A / 250V AC 10A

Initial Contact Resistance: Max. 20mΩ

Insulation Resistance: 1000MΩ Min.

Operation Temperature: -55C~85C

Electrical Life: 20,000 Cycles



Dimensions given for approximate size only. Contact factory for specific applications and panel hole sizes.

JLT-654-2

Specifications

SPDT (Single Pole, Double Throw)
DPDT (Double Pole, Double Throw)

Function: On-On

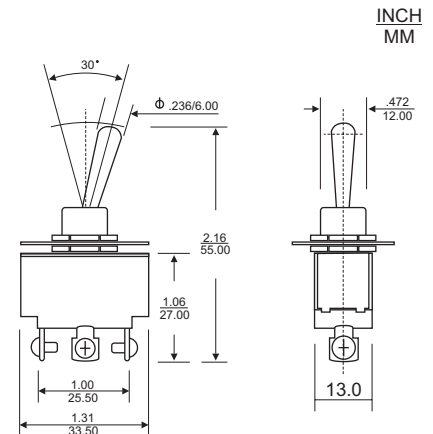
Rating: 125V AC 10A / 250V AC 6A
 *High Amp: 125V AC 15A / 250V AC 10A

Initial Contact Resistance: Max. 20mΩ

Insulation Resistance: 1000MΩ Min.

Operation Temperature: -55C~85C

Electrical Life: 20,000 Cycles



Dimensions given for approximate size only. Contact factory for specific applications and panel hole sizes.

JLT-654-3

Specifications

SPDT (Single Pole, Double Throw)
DPDT (Double Pole, Double Throw)

Function: On-Off-On

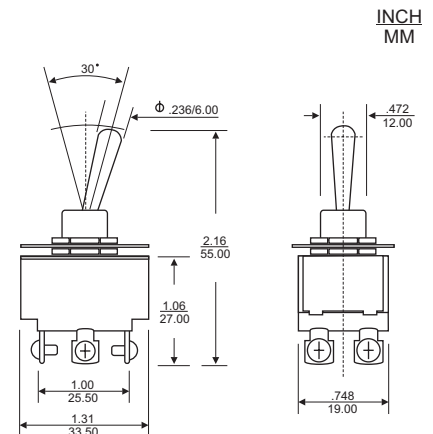
Rating: 125V AC 10A / 250V AC 6A
 *High Amp: 125V AC 15A / 250V AC 10A

Initial Contact Resistance: Max. 20mΩ

Insulation Resistance: 1000MΩ Min.

Operation Temperature: -55C~85C

Electrical Life: 20,000 Cycles



Dimensions given for approximate size only. Contact factory for specific applications and panel hole sizes.