



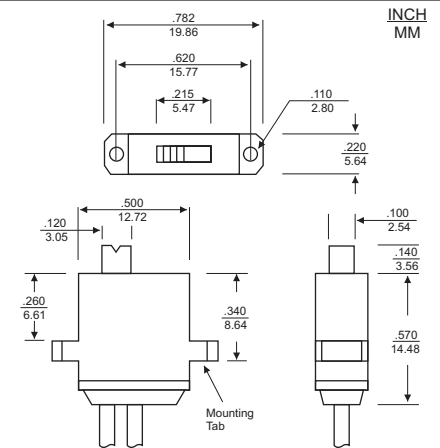
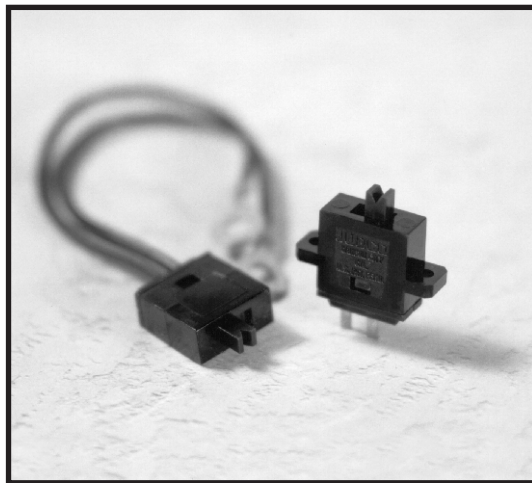
# Slide Switches Series J-999 Miniature Slide Switch

"Since 1975... serving the automotive industry and over 2,000 OEM customers"

## J-999-1, 2

### Specifications

- SPST** (Single Pole, Single Throw)
- Function:** On-Off
- Rating:** 14 V DC 2A
- Contact Resistance:** 25mΩ @ rating
- Insulation Resistance:** 500MΩ
- Leads:** PCB terminals or wire leads
- Mechanical Life:** Up to 100,000 Cycles
- J-999-1:** With mounting tabs
- J-999-2:** Without mounting tabs

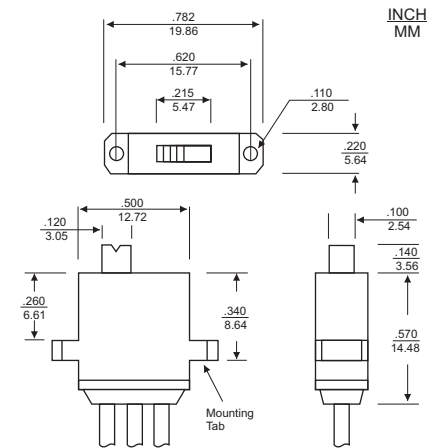
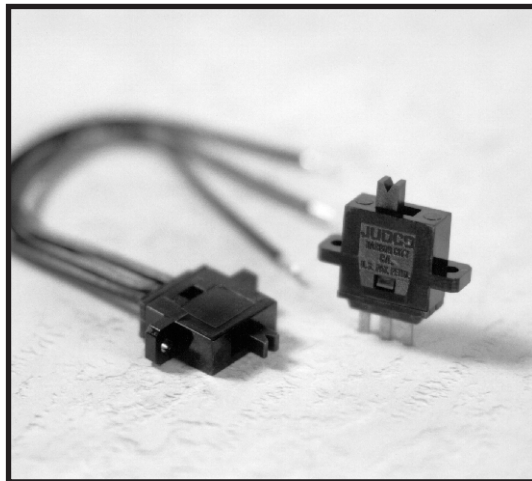


Dimensions given for approximate size only. Contact factory for specific applications and panel hole sizes.

## J-999-3, 4

### Specifications

- SPDT** (Single Pole, Double Throw)
- Function:** On-On
- Rating:** 14 V DC 2A
- Contact Resistance:** 25mΩ @ rating
- Insulation Resistance:** 500MΩ
- Leads:** PCB terminals or wire leads
- Mechanical Life:** Up to 100,000 Cycles
- J-999-3:** With mounting tabs
- J-999-4:** Without mounting tabs

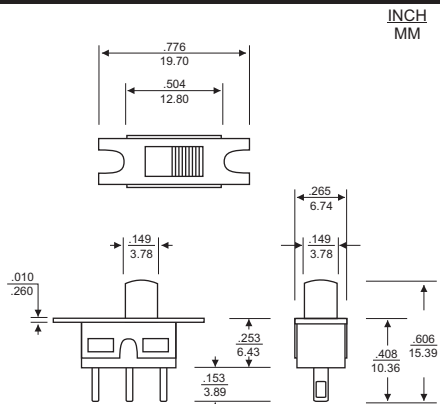
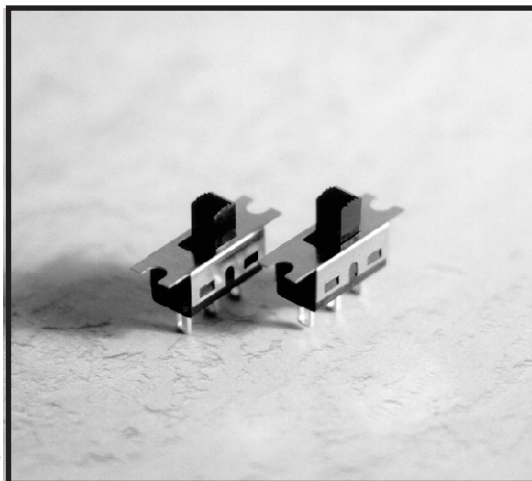


Dimensions given for approximate size only. Contact factory for specific applications and panel hole sizes.

## JMS-999-1, 4

### Specifications

- SPST** (Single Pole, Single Throw)
- SPDT** (Single Pole, Double Throw)
- Function:** 1 to 2 poles, with 2 positions
- Rating:** 250VAC 1A
- Contact Resistance:** 30mΩ @ rating
- Insulation Resistance:** 500MΩ
- Leads:** PCB terminals
- Mechanical Life:** Up to 100,000 Cycles
- Button design:** Several varieties available



Dimensions given for approximate size only. Contact factory for specific applications and panel hole sizes.